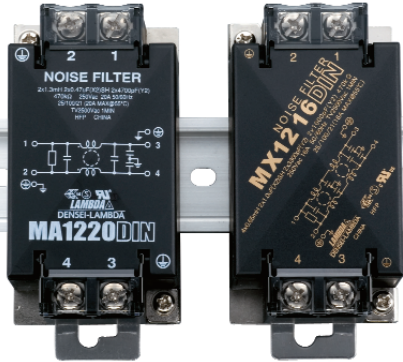


MA/MX12 Series

6A to 30A, 250VAC EMI Filters

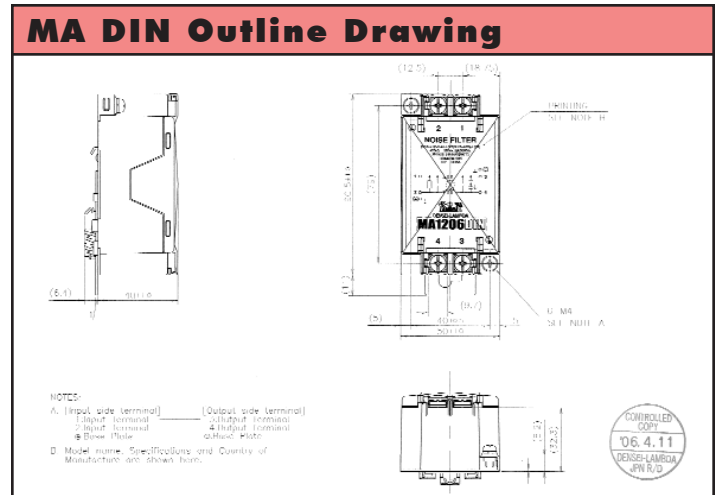
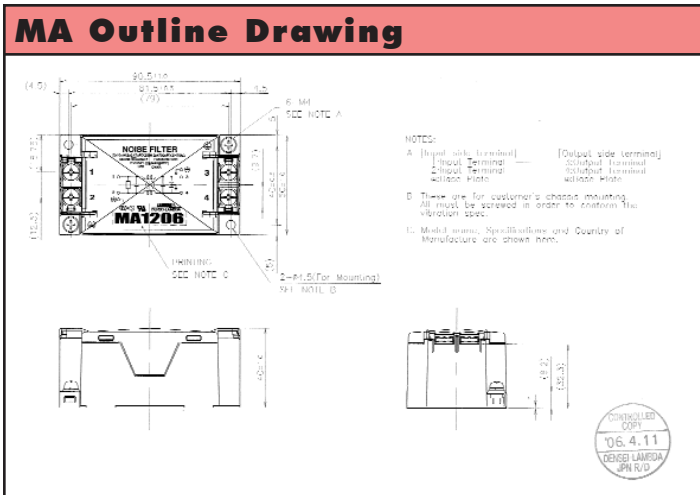
RoHS



- Features**
- ◆ Easy Connection and Installation
 - ◆ Captive screws accepting ring tag terminals
 - ◆ Chassis or DIN Rail mount
 - ◆ Safety Agency Approved, RoHS Compliant
 - ◆ MA series (single stage) Low frequency attenuation
 - ◆ MX series (two stage) Wide band attenuation

Specifications		MODELS	MA1206 MX1206	MA1210 MX1210	MA1216 MX1216	MA1220 MX1220	MA1230 MX1230
Rated Current			6A	10A	16A	20A	30A
Rated Voltage	V	250VAC or VDC					
Test Voltage (For 1 min.)	V	Terminals to Case: 2500VAC at 25C, 70% RH					
Isolation Resistance	MΩ	100MΩ minimum at 70% RH (terminals to case, 500VDC)					
Leakage Current	mA	1mA max at 250VAC 60Hz					
DC Resistance (both lines) MA/MX	mΩ	120/130	50/65	20/20	14/14	6/7	
Temperature Rise	°C	30°C Maximum					
Operating Temperature	°C	-40 to +85°C (see derating curve)					
Storage Temperature	°C	-40 to +85					
Operating Humidity	-	30 to 95% RH (non condensing)					
Storage Humidity	-	10 to 95% RH (non condensing)					
Vibration (non operating)	-	10-55-10Hz sweep for 1 min. Amplitude 1.5mm constant (max 88.3m/s ² , X, Y, Z 2 hours each)					
Safety Standards	-	Approved by UL1283, CSA Std C22.2 No.8 (CUL)(1), EN60939 (SEMKO)					
Size WxLxH	mm	50 x 90.5 x 40 (50 x 101.5 x 46.4 with DIN Rail mounting clip)					
Weight (Typ)	g	280 (290 for DIN Rail mount versions)					
Warranty	-	1 Year					

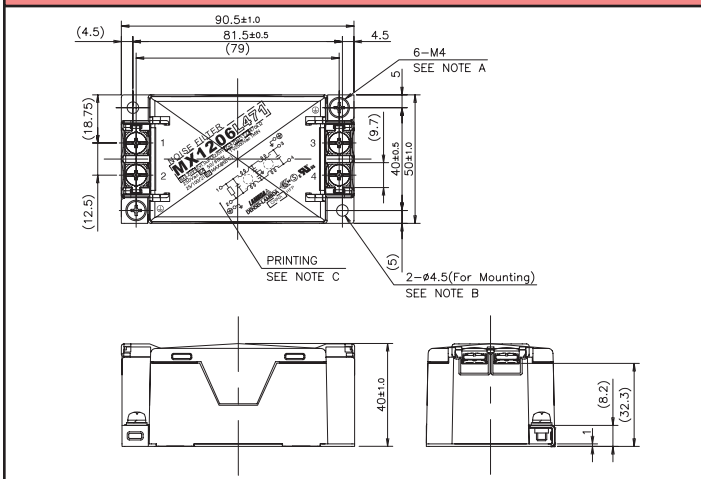
(1) MX12 only



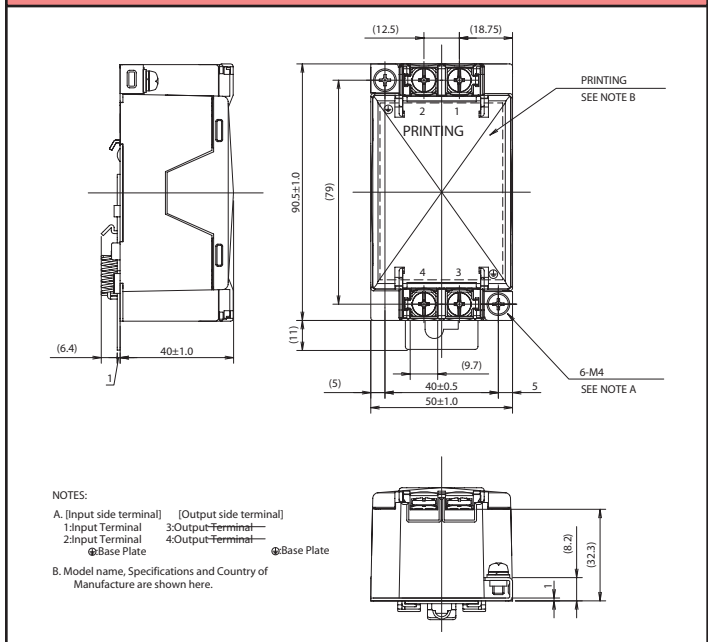
Model Selector

Model	Current Rating	Leakage Current (250VAC 60Hz)	Attenuation Characteristic	Mounting
MA1206	6A		Low Frequency (150 - 500kHz)	Chassis
MA1206DIN	6A		Low Frequency (150 - 500kHz)	DIN Rail
MX1206	6A		Wide band (150kHz - 30MHz)	Chassis
MX1206DIN	6A		Wide band (150kHz - 30MHz)	DIN Rail
MA1210	10A		Low Frequency (150 - 500kHz)	Chassis
MA1210DIN	10A		Low Frequency (150 - 500kHz)	DIN Rail
MX1210	10A		Wide band (150kHz - 30MHz)	Chassis
MX1210DIN	10A		Wide band (150kHz - 30MHz)	DIN Rail
MA1216	16A		Low Frequency (150 - 500kHz)	Chassis
MA1216DIN	16A		Low Frequency (150 - 500kHz)	DIN Rail
MX1216	16A		Wide band (150kHz - 30MHz)	Chassis
MX1216DIN	16A		Wide band (150kHz - 30MHz)	DIN Rail
MA1220	20A		Low Frequency (150 - 500kHz)	Chassis
MA1220DIN	20A		Low Frequency (150 - 500kHz)	DIN Rail
MX1220	20A		Wide band (150kHz - 30MHz)	Chassis
MX1220DIN	20A		Wide band (150kHz - 30MHz)	DIN Rail
MA1230	30A		Low Frequency (150 - 500kHz)	Chassis
MA1230DIN	30A		Low Frequency (150 - 500kHz)	DIN Rail
MX1230	30A		Wide band (150kHz - 30MHz)	Chassis
MX1230DIN	30A		Wide band (150kHz - 30MHz)	DIN Rail

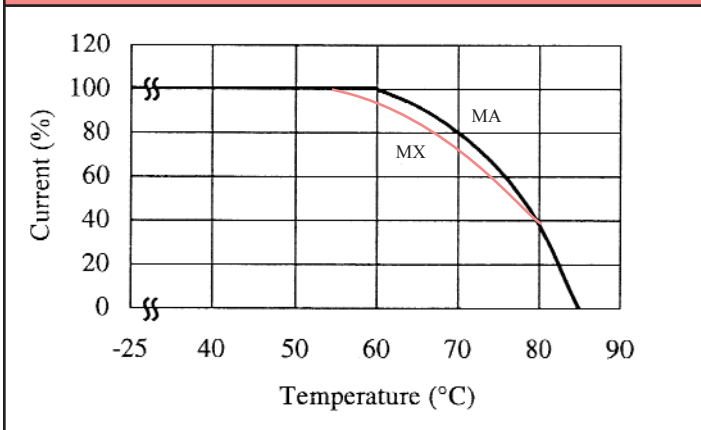
MX Outline Drawing



MX DIN Outline Drawing



Derating



Other Lambda Filter Solutions

MAW	0.5 - 5A, 250VAC filters (wire ended)
MC13	6 - 30A, 500VAC 3 phase filters
MX13	30 - 150A, 3 phase filters
MBS	30 & 50A, 75VDC filters
PAN	20A, 75VDC filters (pcb mount)

For Additional Information, please visit
us.tdk-lambda.com/lp/products/ma-mx12-series.htm